

LIGHTNING AUDIO®



STRIKE™

WOOFERS

53.10.4

53.10.8

53.12.4

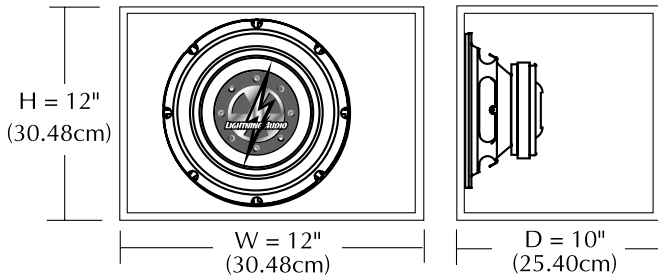
53.12.8

53.15.4

53.15.8

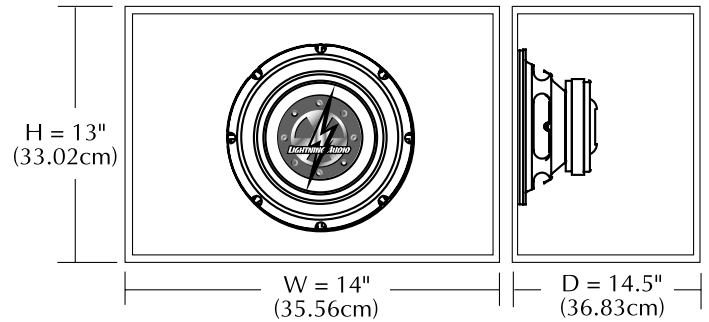
10"	STRIKE	SVC	SUBWOOFER
12"	STRIKE	SVC	SUBWOOFER
15"	STRIKE	SVC	SUBWOOFER

STRIKE S3.10.4/ S3.10.8



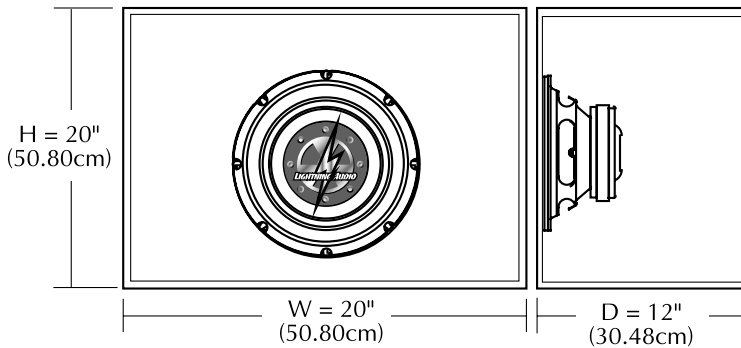
Recommended Sealed 0.50ft³ (14.2L)

STRIKE S3.12.4/ S3.12.8



Recommended Sealed 1.0ft³ (28.3L)

STRIKE S3.15.4/ S3.15.8



Recommended Sealed 2.0ft³ (56.6L)

- CAUTION:** Before installation, disconnect the battery negative (-) terminal to prevent damage to the unit, fire and/or possible injury.
- MISE EN GARDE :** avant d'entamer l'installation, déconnectez la broche négative (-) de la batterie pour éviter tout risque de blessures, d'incendie ou de dommages à l'appareil.
- PRECAUCIÓN:** Antes de la instalación, desconecte el terminal negativo de la batería (-) para prevenir daño a la unidad, incendio y/o posibles lesiones.
- VORSICHT:** Entfernen Sie vor dem Einbau den negative Batteriepol, um Schäden am Gerät, Feuer bzw. mögliche Verletzungen zu vermeiden.
- ATTENZIONE:** Prima dell'installazione, scollegate il terminale negativo (-) della batteria per evitare danni all'unità, pericoli d'incendio e/o potenziali lesioni personali.

NOTE: When using enclosures other than specified, call Technical Support for correct application.

CALCULATING VOLUMES

Calculating volume is merely a matter of measuring the internal dimensions in inches and using the formula:

Box Volume =	Height " x Width" x Depth"
(cubic feet)	1728

FRANÇAIS

On calcule le volume en mesurant la dimension de chaque côté et en utilisant la formule suivante:

Volume du caisson =	Hauteur (cm) x Longueur (cm) x Largeur (cm)
(Litres)	1000

ESPAÑOL

Para calcular el volumen sólo se han de medir las dimensiones en centímetros y aplicar la fórmula:

Volumen de la caja =	Alto(cm) x Ancho(cm) x Profundidad(cm)
(en litros)	1000

DEUTSCH

Zur Volumen-Berechnung benötigen sie die genauen Maße und Dimensionen in Zentimetern.

Gehäuse-Volumen =	Höhe (cm) x Breite (cm) x Tiefe (cm)
(Liter)	1000

ITALIANO

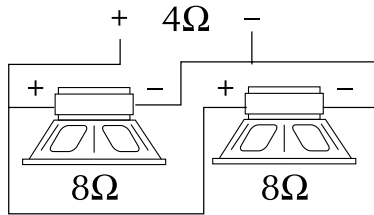
Calcolare il volume é essenzialmente solo un problema di misurazione delle dimensioni in centimetri della cassa e di applicazione della formula:

Volume della cassa =	Alteza(cm) x Larghezza(cm)x Profondità(cm)
(litri)	1000

INSTALLATION REFERENCE SHEET

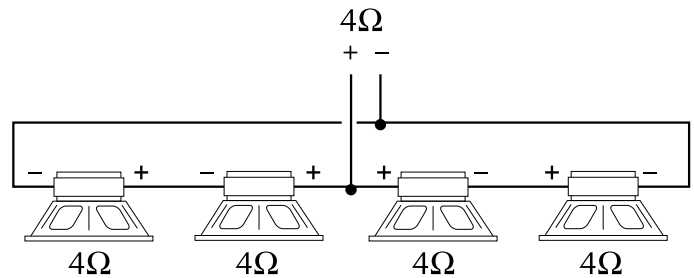
WIRING CONFIGURATIONS

Parallel Wiring
Câblage en parallèle
Cableado en paralelo
Parallelschaltet
Cablaggio di parallelo



Series/Parallel Wiring
Câblage/en série/parallèle

Cableado en serie/paralelo
Reihen-/parallelgeschaltet
Cablaggio di serie/parallelo



SPECIFICATIONS

Model - Strike	S3.10.4	S3.10.8	S3.12.4	S3.12.8	S3.15.4	S3.15.8
Nominal Impedance	4Ω	8Ω	4Ω	8Ω	4Ω	8Ω
Voice Coil Diameter	2.0"	2.0"	2.0"	2.0"	2.0"	2.0"
FS (Hz)	33	32	32	28	27	26
QTS	0.454	0.41	0.65	0.53	0.62	0.59
VAS (cu.ft.)	1.1	1.2	2.2	2.6	4.6	5.3
VAS (liter)	31.7	34	61.3	73.7	130	149.1
Xmax (in.)	0.29	0.26	0.3	0.27	0.29	0.26
Xmax (mm)	7	7	8	7	7	7
SPL (dB M/W)	85.6	86.2	86.8	86.8	87.9	88.0
Power Handling (RMS)	300	300	300	300	300	300
Power Handling (Max)	900	900	900	900	900	900
Mounting Dia. (in.)	9 ⁹ / ₁₆	9 ⁹ / ₁₆	11 ⁹ / ₁₆	11 ⁹ / ₁₆	14 ⁹ / ₁₆	14 ⁹ / ₁₆
Mounting Dia. (mm)	242	242	293	293	369	369
Mounting Depth (in.)	5 ³ / ₁₆	5 ³ / ₁₆	5 ³ / ₄	5 ³ / ₄	7	7
Mounting Depth (mm)	132	132	146	146	178	178
Speaker Dis. (cu. ft.)	0.06	0.06	0.09	0.09	0.113	0.113
Speaker Dis. (liters)	1.7	1.7	2.5	2.5	3.2	3.2
Sealed Box Vol. (cu. ft.)	0.5	0.5	1	1	2	2
Sealed Box Vol. (liters)	14.2	14.2	28.3	28.3	56.6	56.6

FEATURES

- **Complex Thermoplastic Elastomer Surround** – Advanced surround material for max cone isolation and ultimate control.
- **Kapton Matrix Former** – Ultralight Kapton material with matrix construction for zero flex and seriously tight sound.

- **Injection Molded Polypropylene Cone** – Provides a rigid, lightweight cone for excellent sound quality and minimum flexing.
- **X2 Spiders** – Twice the control, even at max excursion.
- **Flow Grate** – Cools the voice coil for proven torture tested performance.
- **Woven-In Tinsel Leads**

CHECK OUR WEBSITE FOR UPDATES ON YOUR PRODUCTS.

www.LightningAudio.com

LIMITED WARRANTY INFORMATION



Lightning Audio offers a limited warranty on products on the following terms:

- **Length of Warranty**

- **Speakers**

- One year parts and labor warranty. Requires proof of purchase.

- **Amplifiers**

- **Bolt:** One year parts and labor warranty. Requires proof of purchase.

- **Strike and Storm:** One year parts and labor warranty. Requires proof of purchase.

- Or, Two years parts and labor warranty if installed by a Authorized Dealer. Requires proof of purchase.

- **CT1, FM1, PC1 and CS1**

- One year parts and labor warranty. Requires proof of purchase.

- **What is Covered**

This warranty applies only to Lightning Audio products sold to consumers by Authorized Lightning Audio Dealers in the United States of America or its possessions. Product purchased by consumers from an Authorized Lightning Audio Dealer in another country are covered only by that country's Distributor and not by Lightning Audio.

- **Who is Covered**

This warranty covers only the original purchaser of Lightning Audio product purchased from an Authorized Lightning Audio Dealer in the United States. In order to receive service, the purchaser must provide Lightning Audio with a copy of the receipt stating the customer name, dealer name, product purchased and date of purchase.

- **Products found to be defective** during the warranty period will be repaired or replaced (with a product deemed to be equivalent) at Lightning Audio's discretion.

- **What is Not Covered**

1. Damage caused by accident, abuse, improper operations, water, theft
2. Any cost or expense related to the removal or reinstallation of product
3. Service performed by anyone other than Lightning Audio or an Authorized Lightning Audio Service Center
4. Any product which has had the serial number defaced, altered, or removed
5. Subsequent damage to other components
6. Any product purchased outside the U.S.
7. Any product not purchased from an Authorized Lightning Audio Dealer

- **Limit on Implied Warranties**

Any implied warranties including warranties of fitness for use and merchantability are limited in duration to the period of the express warranty set forth above. Some states do not allow limitations on the length of an implied warranty, so this limitation may not apply. No person is authorized to assume for Lightning Audio any other liability in connection with the sale of the product.

- **How to Obtain Service**

Please call 1-888-881-8186 for Lightning Audio Customer Service. You must obtain an RA# (Return Authorization number) to return any product to Lightning Audio. You are responsible for shipment of product to Lightning Audio. Always include Proof of Purchase. Mark RA# on outside of shipping carton.

Ship to: **Electronics**
Lightning Audio
Warranty Repair Department
2055 E. 5th Street
Tempe, AZ 85281
RA#: _____

Ship to: **Speakers**
Lightning Audio
Speaker Returns
2356 Turner Ave. NW
Grand Rapids, MI 49544
RA#: _____